



**WC flush plate for Prevista
Visign for More 204
electronic**

- for all Prevista concealed cisterns
- only in combination with Accessory set model 8655.11
- in addition optional available WC installation frame for Prevista model 8650.1
- manual flush actuation from front or top, dual flush technology, with Viega Hygiene function

Components

fixing frame, actuating rod set, fixing bolt

Note

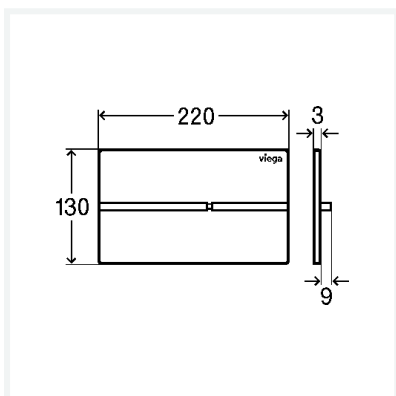
Electronic accessory set has to be ordered separately.

Note regarding Viega Hygiene function: to support the intended operation after a user detection, different hygiene time intervals and hygiene flush volumes can be set. Programmable time intervals: 1 h, 12 h, 24 h, 72 h, 168 h. Programmable flush volumes: 3 l, 7.5 l.

With joint between wall and flush plate for visual separation of the components (shadow gap).

Model 8624.1

Article 773 656



Properties

Partial flush volume factory setting	partial flush volume factory setting	approx. 3 l
Full flush volume factory setting	full flush volume factory setting	approx. 6 l
Cover plate	black matt stainless steel	
Actuator	black matt metal	
Weight	1040 g	
Volume	4083 cm ³	